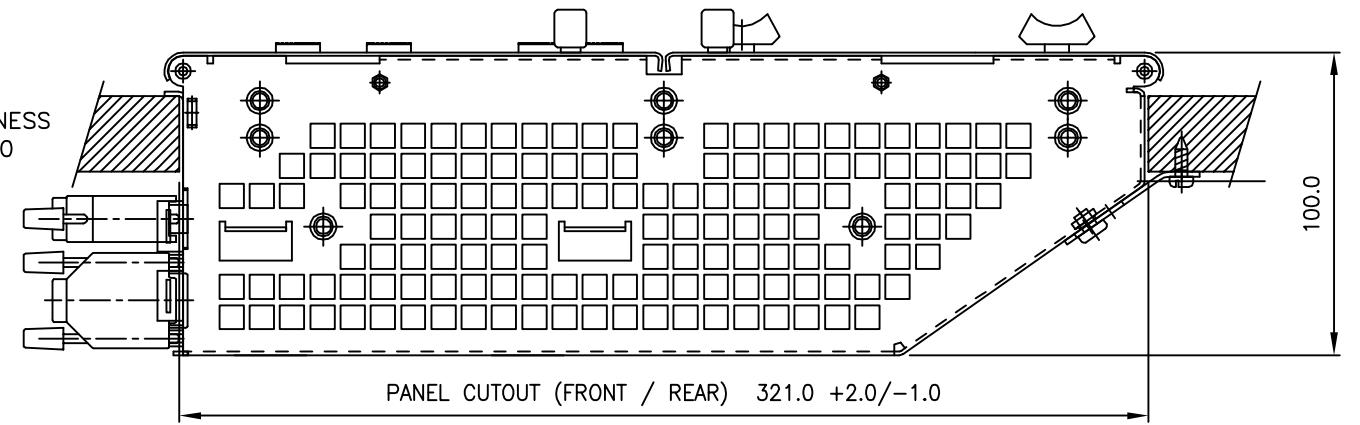
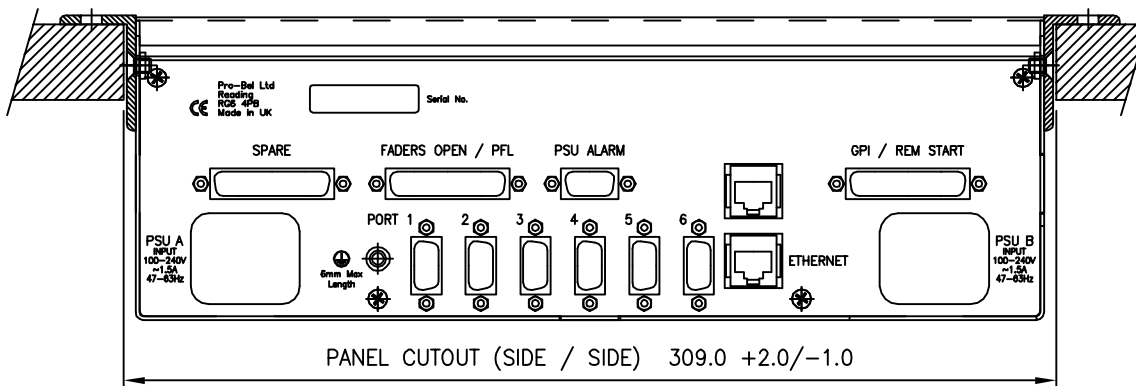


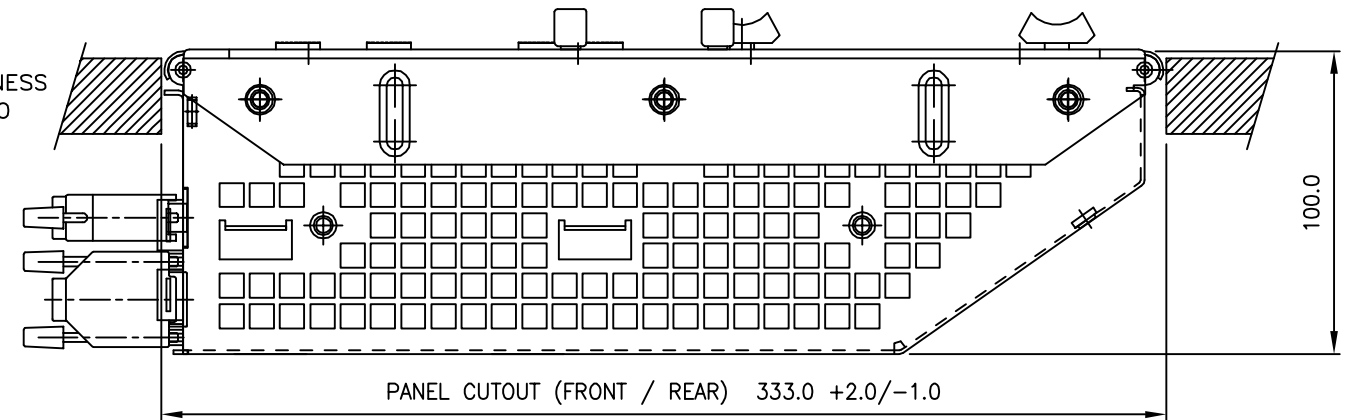
DESK THICKNESS
25.0 / 32.0



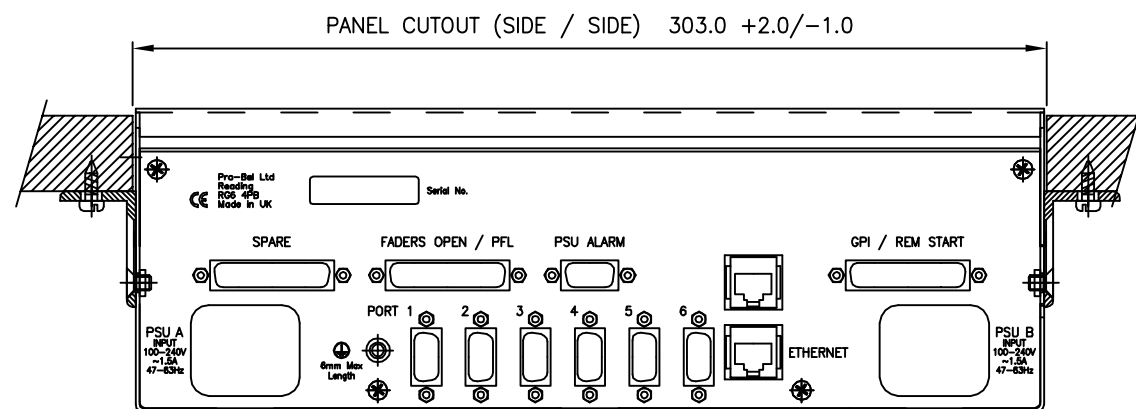
FIXING FRONT AND REAR – NO EARS



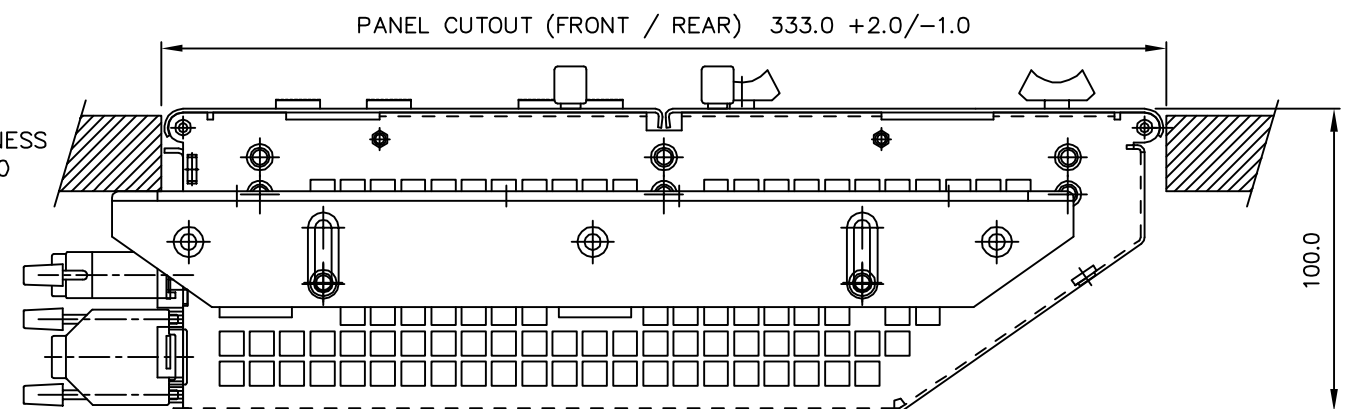
DESK THICKNESS
25.0 / 42.0



FIXING WITH EARS BOTH SIDES – ON TOP.



DESK THICKNESS
25.0 / 42.0



FIXING WITH EARS BOTH SIDES – UNDERNEATH.

DO NOT SCALE DRAWING !

ACAD FILE NAME
223524-2

ISS NO		1	ISS DATE	10/02/04	THIRD ANGLE PROJECTION	TOLERANCES UNLESS STATED:- 1 ± 0.4 1.0 ± 0.13 DIA +0.13 -0 ANGLES ±1°	DRN	RM	PRO-BEL LIMITED		
ISS DATE		2	ISS DATE	31/01/06			CHK	APP	DATE	20.01.04	TITLE
ALL DIMENSIONS IN MILLIMETRES					FINISH	-	MATERIAL		-	DRG NO	223524